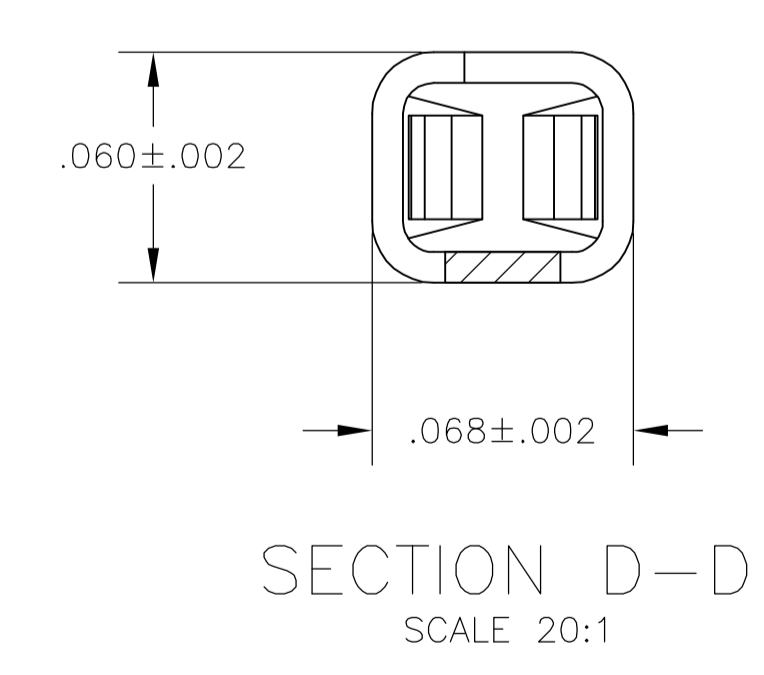
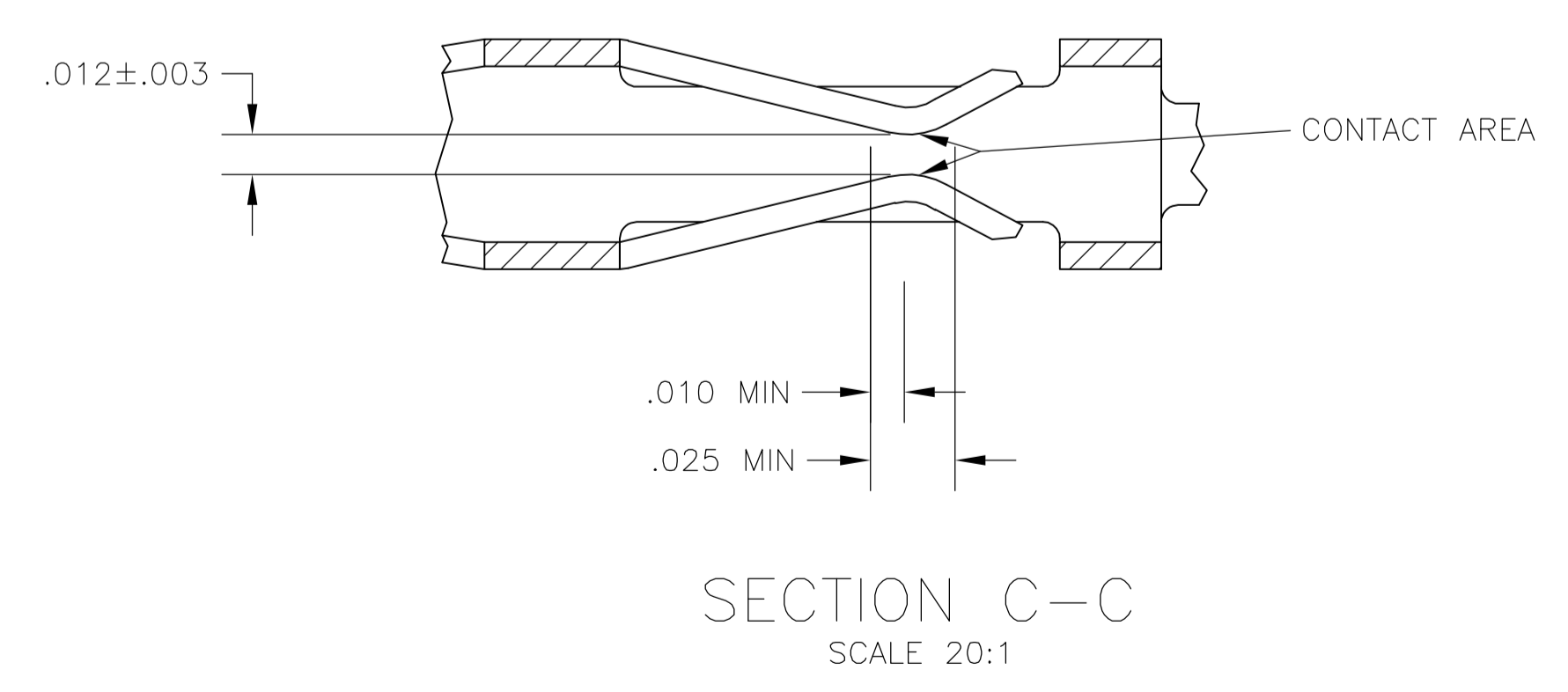
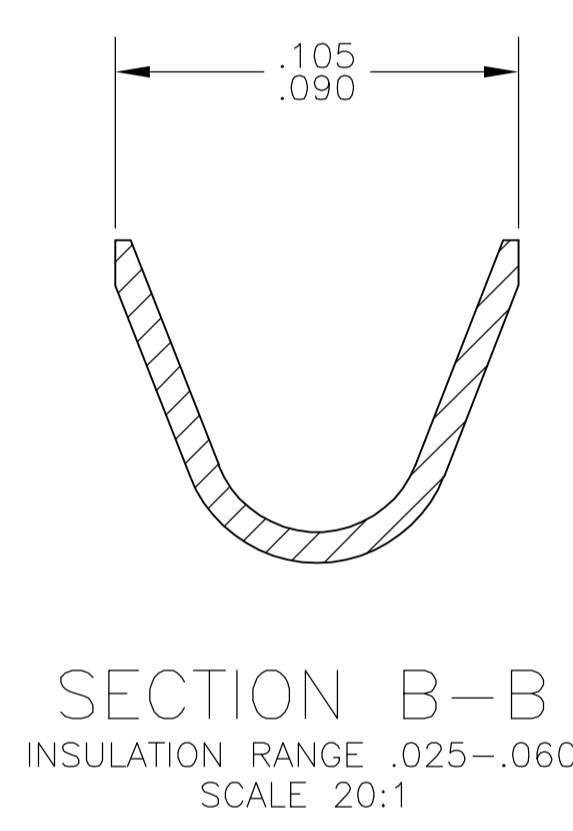
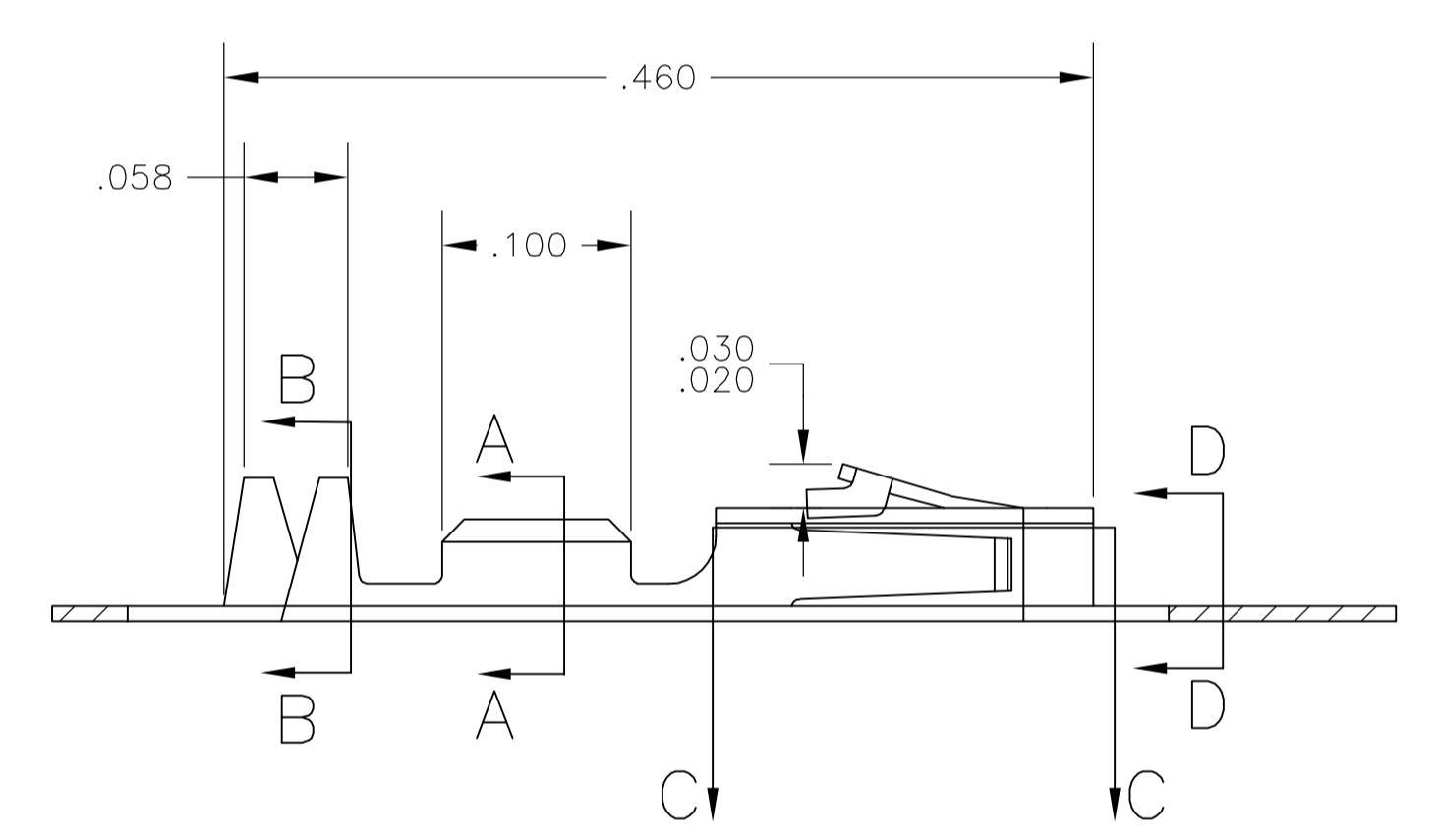


- 1 .000100 MIN BRIGHT TIN-LEAD OVER .000050 MIN NICKEL ON ENTIRE CONTACT
- 2 .000050 MIN NICKEL ON ENTIRE CONTACT; .000015 MIN GOLD ON CONTACT AREA; .000050 MIN BRIGHT TIN-LEAD ON AREA M.
- 3 .000050 MIN NICKEL ON ENTIRE CONTACT; .000030 MIN GOLD ON CONTACT AREA; .000050 MIN BRIGHT TIN-LEAD ON AREA M.
- 4 LOOSE PIECE CUT-OFF DIMENSION.
- 5 .000015 MIN GOLD ON CONTACT AREA, .000050 MIN TIN ON AREA M, ALL OVER .000050 MIN NICKEL ON ENTIRE CONTACT.
- 6 .000030 MIN GOLD ON CONTACT AREA, .000050 MIN TIN ON AREA M, ALL OVER .000050 MIN NICKEL ON ENTIRE CONTACT.
- 8 .000100 MIN TIN OVER .000050 MIN NICKEL ON ENTIRE CONTACT



	LOOSE PIECE STRIP	8 REF	5-104481-6
	LOOSE PIECE STRIP	6 REF	5-104481-2
	LOOSE PIECE STRIP	6 REF	1-104481-3
	LOOSE PIECE STRIP	5 REF	1-104481-2
	LOOSE PIECE STRIP	6	1-104481-1
	LOOSE PIECE STRIP	5	1-104481-0
OBsolete	LOOSE PIECE		104481-9
	LOOSE PIECE	3 REF	104481-8
	LOOSE PIECE	2 REF	104481-7
	LOOSE PIECE	1 REF	104481-6
OBsolete	STRIP		104481-5
	STRIP	3	104481-4
	STRIP	2	104481-3
	STRIP	1	104481-2
	REMARKS	FINISH	PART NO

THIS DRAWING IS A CONTROLLED DOCUMENT.

DIMENSIONS: INCHES	TOLERANCES UNLESS OTHERWISE SPECIFIED:	0 PLC ± -	1 PLC ± -	2 PLC ± -	3 PLC ± .005	4 PLC ± -	ANGLES ± ± -	FINISH SEE TABLE
MATERIAL PHOSPHOR BRONZE		DWN C. OBERMAN 5-10-89		CHK K. HELM 5-12-89		AP'D R. ELICKER 5-12-89		
CUSTOMER DRAWING		Tyco Electronics Corporation Harrisburg, Pa 17105-3608		NAME R. ELICKER		CONTACT, CRIMP SNAP-IN AMPMODU SHORT POINT, 28-32 AWG		
SCALE 10:1		SIZE A1		CAGE CODE 00779		DRAWING NO 104481		RESTRICTED TO
SHEET 1 OF 1		REV N		APPROVAL		DATE		